



R O C K S 1 0


MAGNA

ROCK S10



SPECIFICATIONS

Placement Options

Floor (Indoor | Outdoor)



Use

HT | Distributed Audio

Enclosure

Natural Stone & Aluminum | IP56 with feet | IP54 w/o feet

Recommended Amplifier

300W

Drivers

10" Passive Subwoofer

Impedance

8Ohms

Frequency Response

34.7Hz - 500KHz

Sensitivity

91dB SPL 1W/1m

Lighting

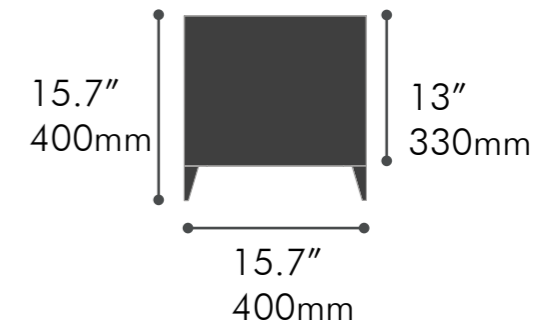
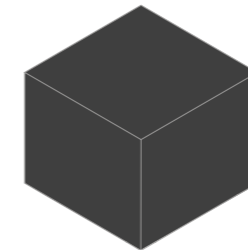
Yes | PWM Dimmable | 12V 3A | Warm and Natural White (Onix Quartzite Exclusive)

Weight

+ 105 lbs | + 48 kg

* Weight may vary

DIMENSIONS



COLORS

MARBLE



GRANITE



QUARTIZITO



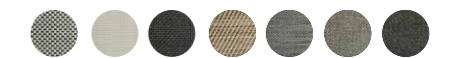
FEET

Aluminum



GRILLE

Fabric



* Specifications and dimensions are subject to change without notice